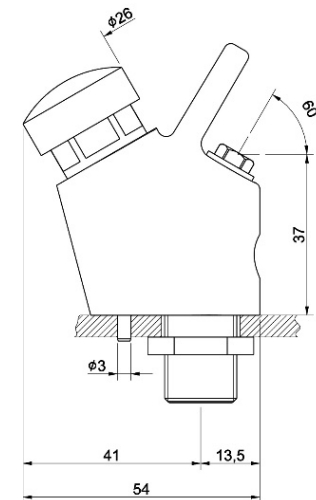
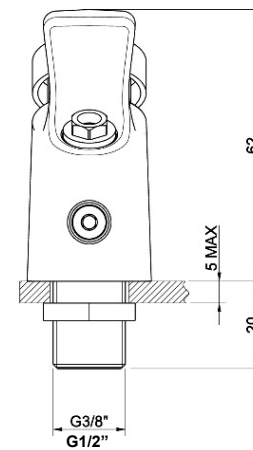
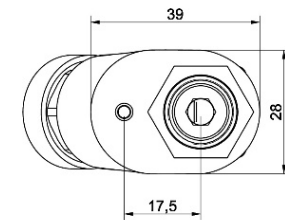
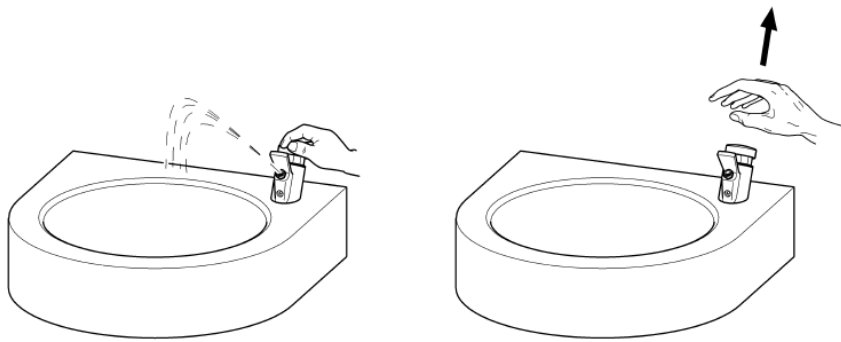


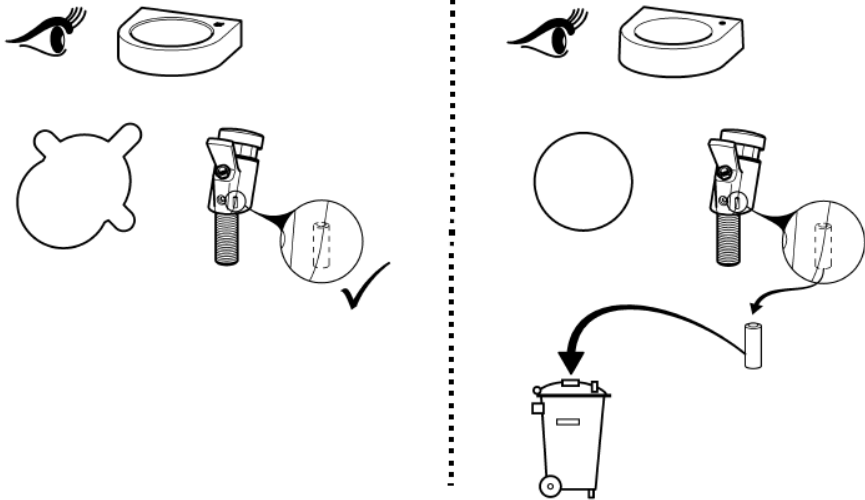
BEVERINO CON GETTO PARABOLICO
REGOLABILE GAMBO 3/8" O G1/2"

DRINKING FOUNTAIN WITH PARABOLIC JET
ADJUSTABLE WITH G3/8" O G1/2"

5

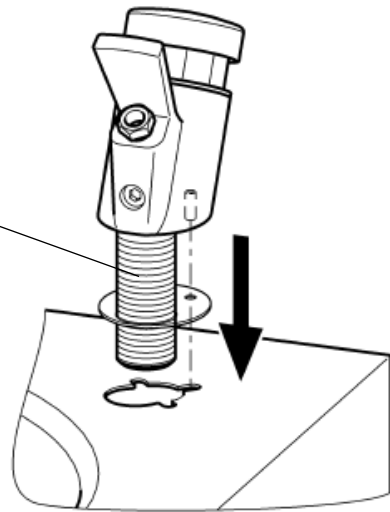


1



2

STEM G3/8" H26
O
STEM G1/2" H23,5

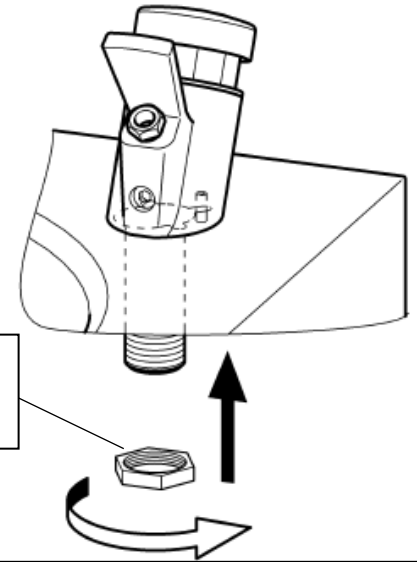


3

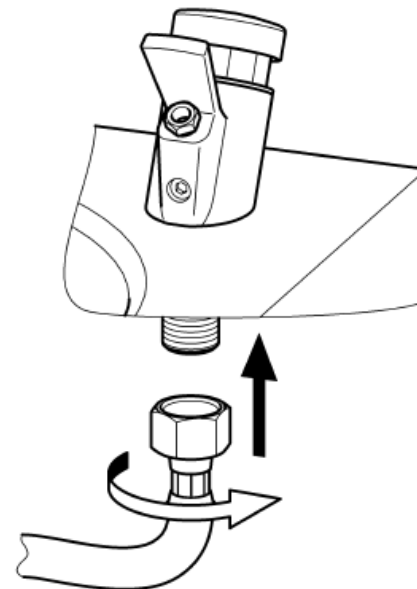


CH25 O CH21

NUT G1/2" H4 CH25
O
NUT G3/8" H4 CH21



4



REGULATION FLOW

ESA 3

