

Descrizione / Description / Description

Miscelatore temporizzato completo di scatola da incasso
Concealed self-closing mixer complete with concealed box
Mitigeur temporisé complete avec boîte encastrable

Materiali / Materials / Matériels

Componenti in finitura
Finishing components
Composants en finition

Acciaio Inox / *Stainless steel* / *Acier inoxydable*

Componenti torniti
Machined components
Composants tournés

Ottone / *Brass* / *Laiton*

Guarnizioni
Gaskets
Joints

EPDM

Componenti plastica
Plastic components
Composants en plastique

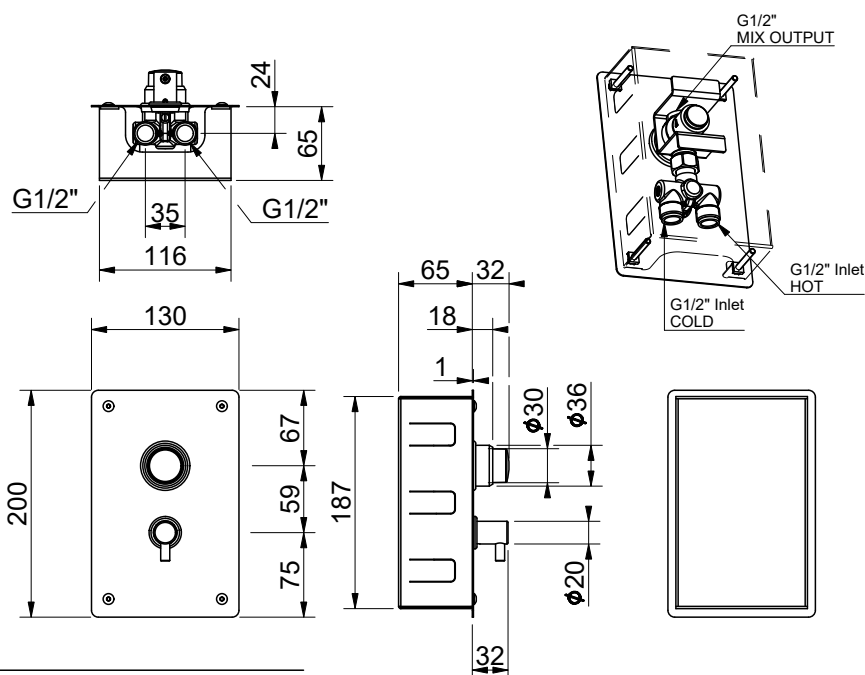
POM

Finitura superficiale
Surface finishing
Finition de la surface

Conforme / *According* / *Conformément* EN 248

In accordo alla EN 9227 in merito all'aggressione salina
According to EN 9227 regarding saline aggression
Conformément à la norme EN9227 concernant l'agression saline

Immagine / Picture / Image



Caratteristiche / Features

5 - 70 °C

15 l/min (3 bar)

Min 0.5 - Max 6 (Recommended 2-4) bar

RUBINETTERIE MCM Int. S.r.l.
 via dell'Acacia, 54/56 - 28021 Borgomanero (NO)
 Tel : +39 0322 843060 - Fax : +39 0322 831613
 E-mail : info@mcmtaps.it - web : www.mcmtaps.it
 P IVA : IT017877240033



Art. 9905MIXC

1990502R00AL00000

3



100% Made in Italy



15 Years Warranty