

Descrizione / Description / Description

Pannello doccia esterno con rubinetto temporizzato e soffione anti impiccagione

External shower panel with self closing tap and antiligature shower head

Panneau douche extérieur avec robinet temporisé et pomme anti pendaison

Materiali / Materials / Matériels

Componenti in finitura  
Finishing components  
Composants en finition

Acciaio Inox/Stainless steel/Acier inoxydable

Componenti torniti  
Machined components  
Composants tournés

Ottone/Brass/Laiton

Guarnizioni  
Gaskets  
Joints

EPDM

Componenti plastica  
Plastic components  
Composants en  
plastique

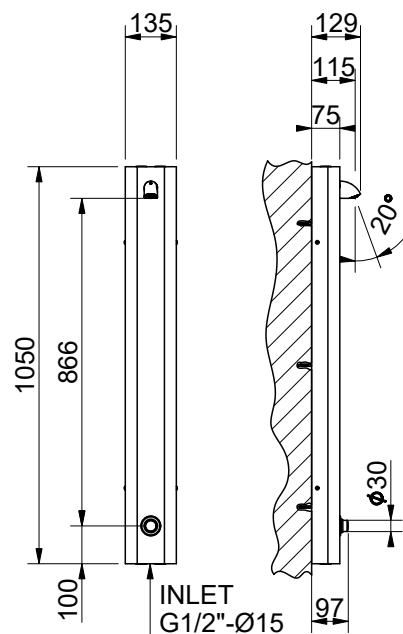
POM

Finitura superficiale  
Surface finishing  
Finition de la surface


Conforme/According/Conformément EN 248


In accordo alla EN 9227 in merito all'aggressione salina  
According to EN 9227 regarding saline aggression  
Conformément à la norme EN9227 concernant l'agression saline

Immagine / Picture / Image




Caratteristiche / Features

 5 - 70 °C

 -

 15 l/min (3 bar)

 Min 0.5 - Max 6 (Recommended 2-4) bar

RUBINETTERIE MCM Int. S.r.l.  
via dell'Acacia, 54/56 - 28021 Borgomanero (NO)  
Tel : +39 0322 843060 - Fax : +39 0322 831613  
E-mail : info@mcmtaps.it - web : www.mcmtaps.it  
P IVA : IT017877240033



Art. 6045SF

1604500R00AL00000

5



100% Made in Italy



15 Years Warranty