

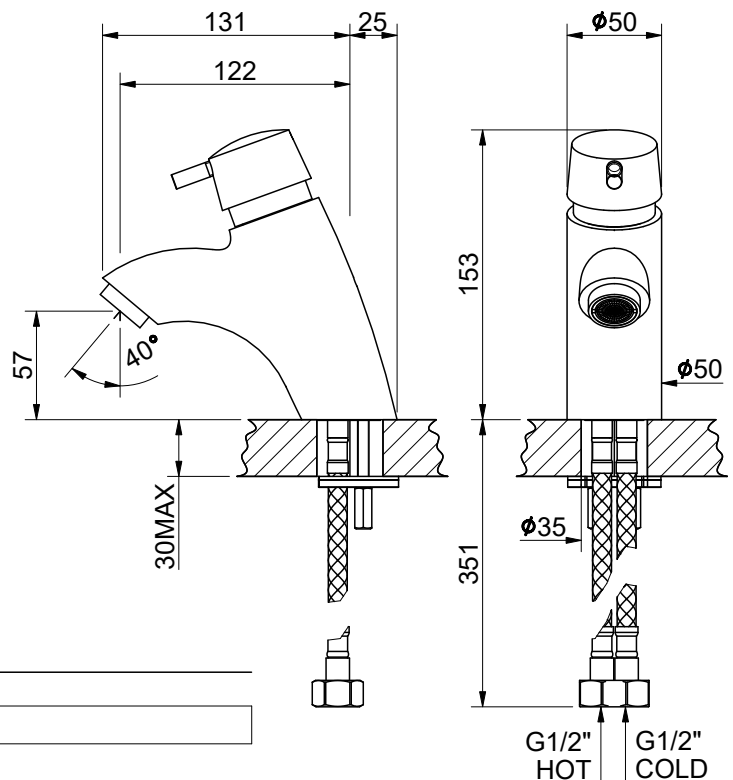
Descrizione / Description / Description

Lavabo mix coassiale temp con regolazione tempo  
Self-closing coaxial basin mixer with time regulation  
Mitigeur lavabo temporisé coaxial avec régulation du temps

Materiali / Materials / Matériels

Componenti in finitura Finishing components Composants en finision
Ottone/Brass/Laiton
Componenti torniti Machined components Composants tournés
Ottone/Brass/Laiton
Guarnizioni Gaskets Joints
EPDM
Componenti plastica Plastic components Composants en plastique
POM
Finitura superficiale Surface finishing Finition de la surface
Conforme/According/Conformément EN 248
In accordo alla EN 9227 in merito all'aggressione salina According to EN 9227 regarding saline aggression Conformément à la norme EN9227 concernant l'agression saline

Immagine / Picture / Image



Caratteristiche / Features

	5 - 70 °C		-
	10 l/min (3 bar)		
	Min 0.5 - Max 6 (Recommended 2-4) bar		

RUBINETTERIE MCM Int. S.r.l.  
via dell'Acacia, 54/56 - 28021 Borgomanero (NO)  
Tel : +39 0322 843060 - Fax : +39 0322 831613  
E-mail : info@mcmtaps.it - web : www.mcmtaps.it  
P IVA : IT017877240033



Art. 2013  
1201300R00CR00000 4