



# FLUSSOMETRO

Flush valve  
Robinet de chasse

## Descrizione / Description / Description

Flussometro esterno per istallazione a parete G1" PN10  
*Concealed exposed wall mounted-flush valve G1" PN10*  
*Robinet de chasse exterieur pour installation mural G1" PN10*

## Materiali / Materials / Matériels

Componenti in finitura  
*Finishing components*  
*Composants en finision*

Ottone/Brass/Laiton

Componenti torniti  
*Machined components*  
*Composants tournés*

Ottone/Brass/Laiton

Guarnizioni  
*Gaskets*  
*Joints*

EPDM

Componenti plastica  
*Plastic components*  
*Composants en plastique*

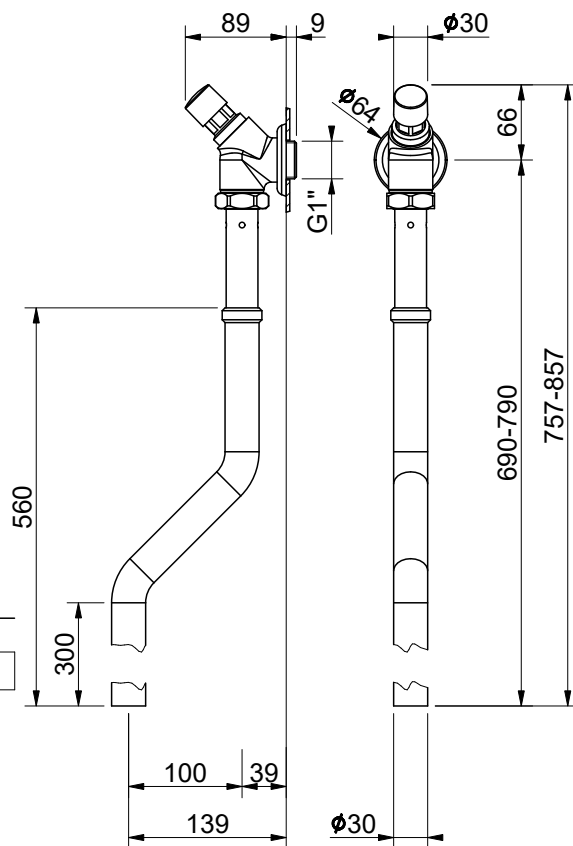
POM

Finitura superficiale  
*Surface finishing*  
*Finition de la surface*

Conforme/According/Conformément EN 248

In accordo alla EN 9227 in merito all'aggressione salina  
*According to EN 9227 regarding saline aggression*  
*Conformément à la norme EN9227 concernant l'agression saline*

## Immagine / Picture / Image



## Caratteristiche / Features

5 - 70 °C

1 l/s (3 bar)

Min 0.5 - Max 6 (Recommended 2-4) bar

RUBINETTERIE MCM Int. S.r.l.  
 via dell'Acacia, 54/56 - 28021 Borgomanero (NO)  
 Tel : +39 0322 843060 - Fax : +39 0322 831613  
 E-mail : info@mcmtaps.it - web : www.mcmtaps.it  
 P IVA : IT017877240033



Art. **945707**

1945707R00CR00000 0



100% Made in Italy



15 Years Warranty