



FLUSSOMETRO

Flush valve
Robinet de chasse

Descrizione / Description / Description

Flussometro ad incasso per installazione a parete G1" PN10

Concealed wall mounted-flush valve G1" PN10

Robinet de chasse encastrable pour installation mural G1" PN10

Materiali / Materials / Matériels

Componenti in finitura
Finishing components
Composants en finition

Ottone/Brass/Laiton

Componenti torniti
Machined components
Composants tournés

Ottone/Brass/Laiton

Guarnizioni
Gaskets
Joints

EPDM

Componenti plastica
Plastic components
Composants en plastique

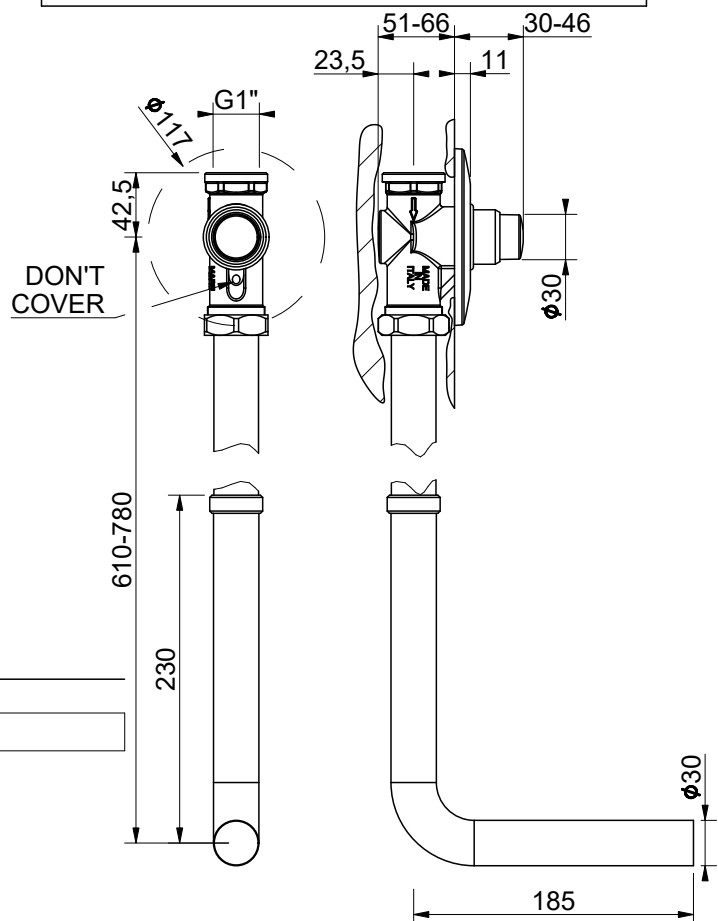
POM

Finitura superficiale
Surface finishing
Finition de la surface

Conforme/According/Conformément EN 248

In accordo alla EN 9227 in merito all'aggressione salina
According to EN 9227 regarding saline aggression
Conformément à la norme EN9227 concernant l'agression saline

Immagine / Picture / Image



Caratteristiche / Features

	5 - 70 °C		-
	1 l/s (3 bar)		
	Min 0.5 - Max 6 (Recommended 2-4) bar		

RUBINETTERIE MCM Int. S.r.l.
via dell'Acacia, 54/56 - 28021 Borgomanero (NO)
Tel : +39 0322 843060 - Fax : +39 0322 831613
E-mail : info@mcmtaps.it - web : www.mcmtaps.it
P IVA : IT017877240033



Art. 945505

1945505R00CR00000 0



100% Made in Italy



15 Years Warranty