

Descrizione / Description / Description

Bocca erogazione fusa per lavabo
Wall fused spout for basin tap
Bec erogation fondu au plancher pour lavabo

Materiali / Materials / Matériels

Componenti in finitura
Finishing components
Composants en finision

Laiton/Brass/Ottone

Componenti torniti
Machined components
Composants tournés

Ottone/Brass/Laiton

Guarnizioni
Gaskets
Joints

EPDM

Componenti plastica
Plastic components
Composants en plastique

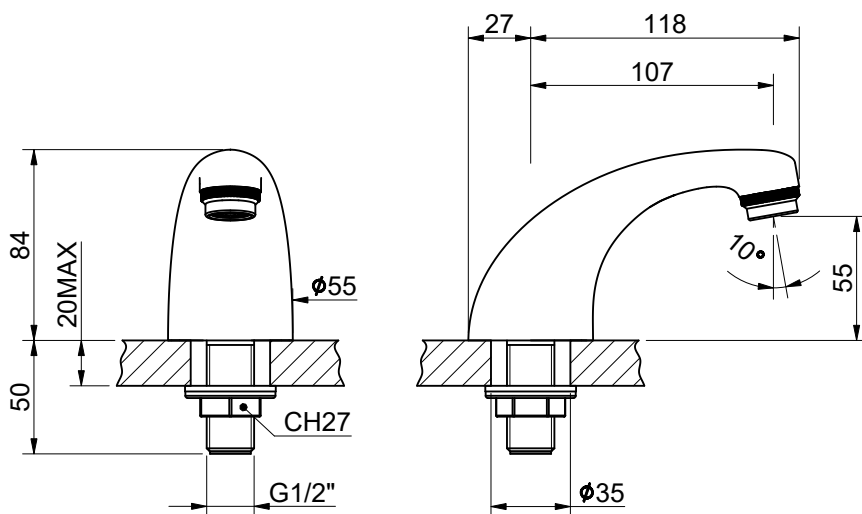
POM

Finitura superficiale
Surface finishing
Finition de la surface


Conforme/According/Conformément EN 248


In accordo alla EN 9227 in merito all'aggressione salina
According to EN 9227 regarding saline aggression
Conformément à la norme EN9227 concernant l'agression saline

Immagine / Picture / Image




Caratteristiche / Features

 5 - 70 °C

 -

 20 l/min (3 bar)

 Min 0.5 - Max 6 (Recommended 2-4) bar

RUBINETTERIE MCM Int. S.r.l.
 via dell'Acacia, 54/56 - 28021 Borgomanero (NO)
 Tel : +39 0322 843060 - Fax : +39 0322 831613
 E-mail : info@mcmtaps.it - web : www.mcmtaps.it
 P IVA : IT017877240033



Art. **9014**

1901400R01CR00000 0



100% Made in Italy



15 Years Warranty