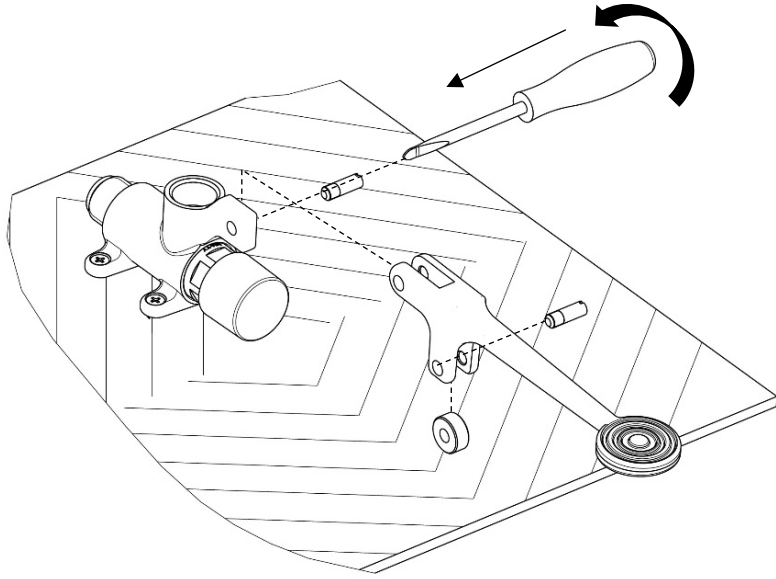
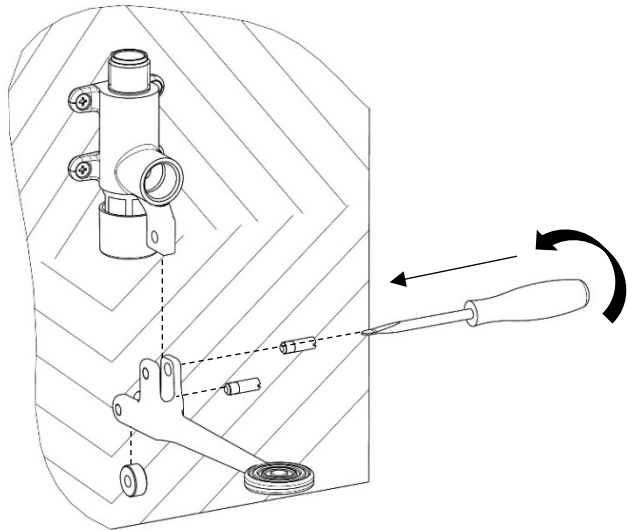


A/4



B/4

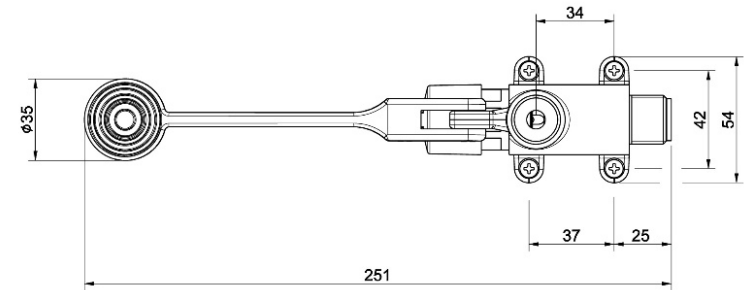
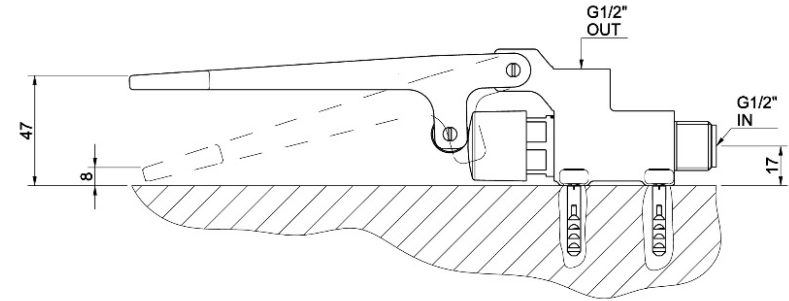


Manuale d'istruzione

Installation instruction

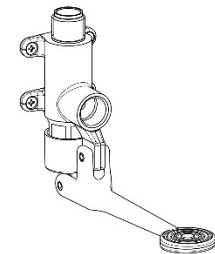
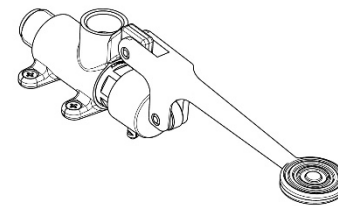
RUBINETTO A PEDALE TEMPORIZZATO A PARETE / PAVIMENTO

SELF CLOSING PEDAL WALL-MOUNTED / FLOOR-MOUNTED TAP



A-FLOOR

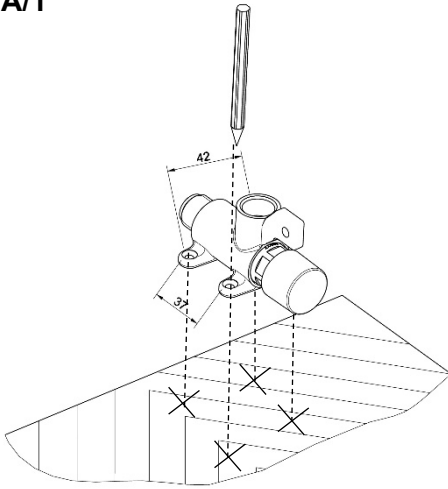
B-WALL



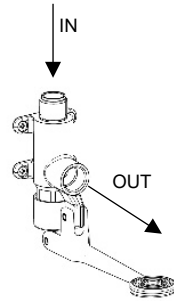
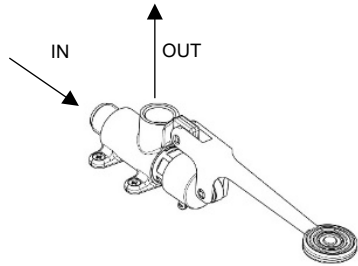
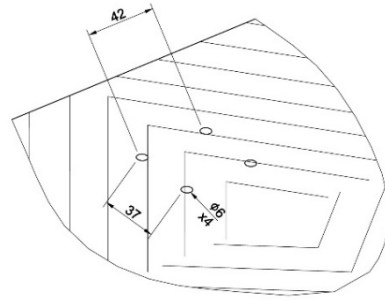
IST024240005XXX

REV00

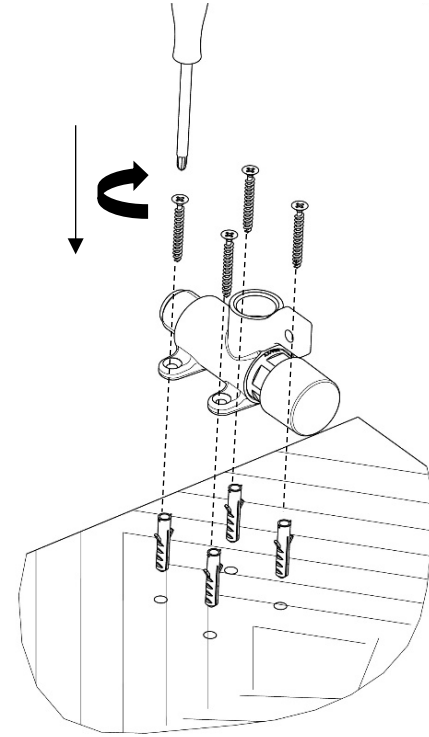
A/1



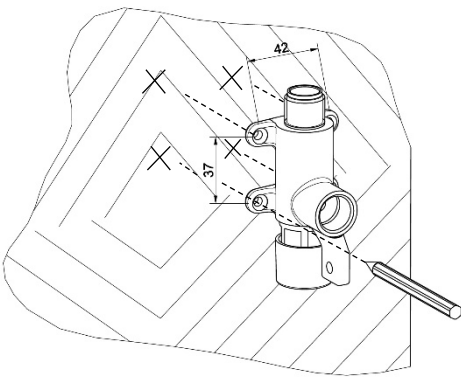
A/2



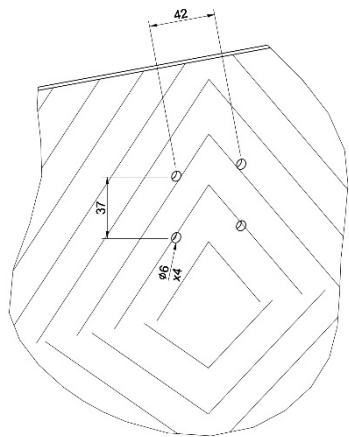
A/3



B/1



B/2



B/3

